



LABOR – ASTER

INDUSTRIAL AUTOMATION



Certyfikat nr QS/14/07



AC 083
QMS

THRESHOLD INDICATOR type SG2

- Input signal : 0...20mA, 4...20mA, 0...10V
- Supply 24 V_{DC}
- One potentiometer-selected alarm threshold
- Alarm indication – LED diode, switching contacts
- On rail TS35

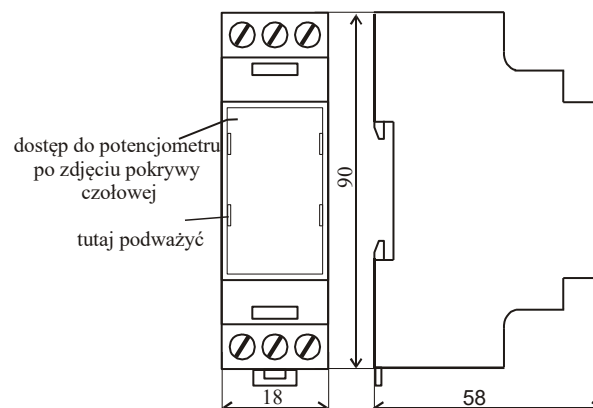
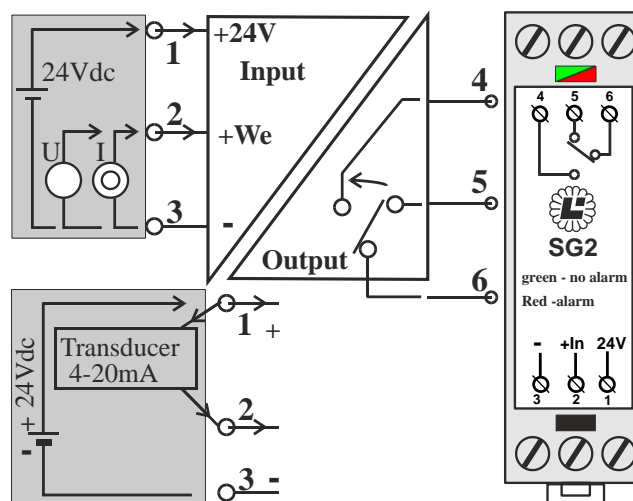
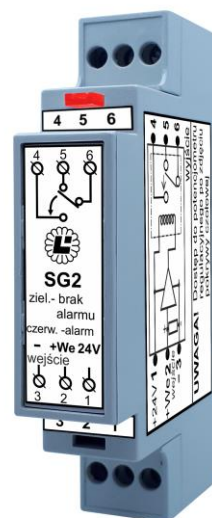
PURPOSE:

Indicator SG2 is designed to control value of analog signal and to alarm about exceeding set threshold value by this signal. User can regulate the threshold with potentiometer after removing the front panel of the indicator.

Exceeding set alarm value is indicated by changing the state of output electro-mechanic relay and LED diode color.

BASIC TECHNICAL PARAMETERES:

- Input signal - 0(4)...20mA, 0...5mA, 0...10V
or other untypical, auxiliary power supply 23V (at 20mA)
- Input resistance:
for current input - $\leq 50 \Omega$
for voltage input - $\geq 200 \text{ k}\Omega$
- Output - power relay
contact current load:
continuous AC - 8 A / 250 V_{AC}
continuous DC - 8 A / 24 V_{DC}
for current < 10mA - special version in accordance with the agreement
- Power supply - 24 V_{DC} / 50 mA (18-28V_{DC})
- Galvanic separation - input from supply and output
- Switching threshold - potentiometer-selected inside the housing (turning left increases threshold level which switches the relay)
- Threshold hysteresis - 3% of the range increment ($\pm 1.5\%$ on each side) or other according to the order
- Operational indication - LED diode lights in green
- Alarm indication - LED diode lights in red
- Housing on rail mounting - IP20, housing width: 18 mm
- on rail TS 35
- EMC requirements - PN-EN 61000-6-1
- PN-EN 61000-6-3



ORDER CODE:

- SG2 – with input signal 4...20mA: type SG2-4...20mA
0...10V: type SG2-0...10V

Production and distribution:

LABOR-ASTER

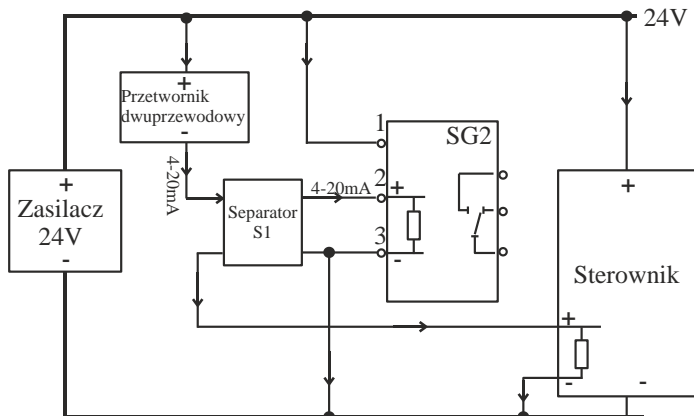
ul. Czechowicka 19, 04-218 Warsaw, Poland

tel. +48 22 610 71 80; +48 22 610 89 45; fax. +48 22 610 89 48

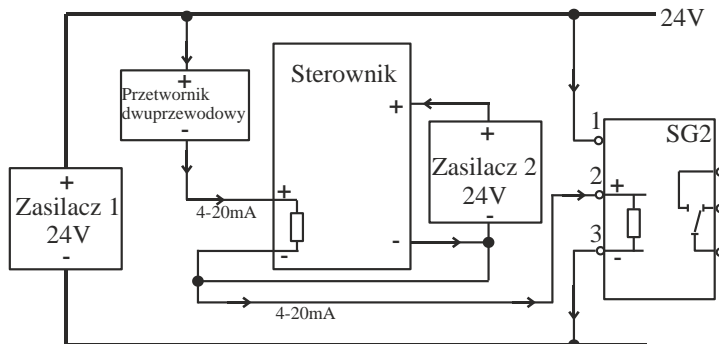
e-mail: biuro@labor-automatyka.pl labor@labor-automatyka.pl; [http:// www.labor-automatyka.pl](http://www.labor-automatyka.pl)

The manufacturer reserves the right to make changes to the product. Issue 09/2020

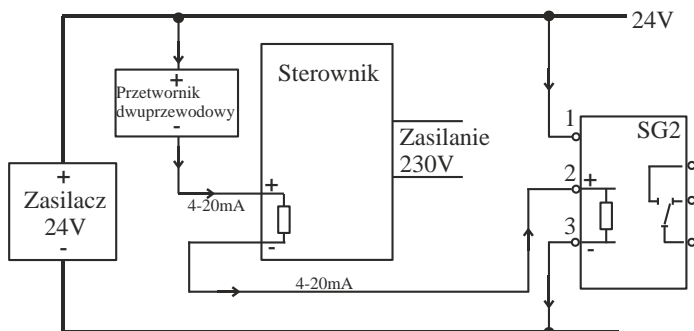
Examples of using indicator SG2:



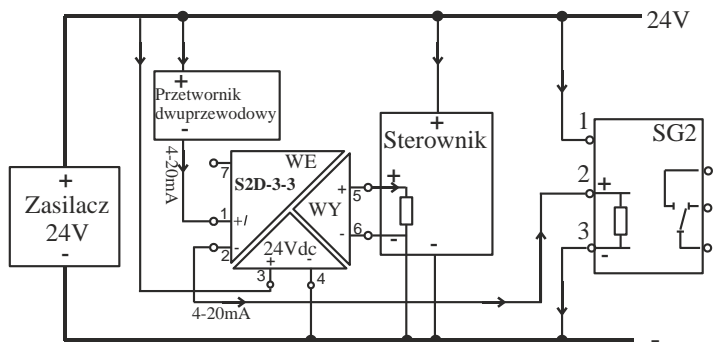
a). operation with separators, one supplier 24V



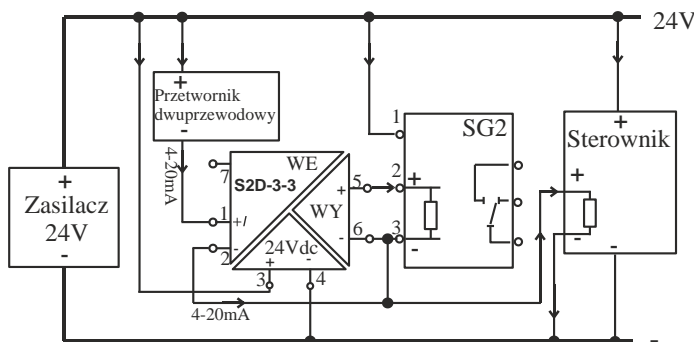
b). two suppliers 24V



c). "-" of the controller's 4-20mA signal separated from "-" of the supplier 24V



d). operation with separator S2D, SG2 connected to the input of the separator



e). operation with separator S2D, SG2 connected to the output of the separator